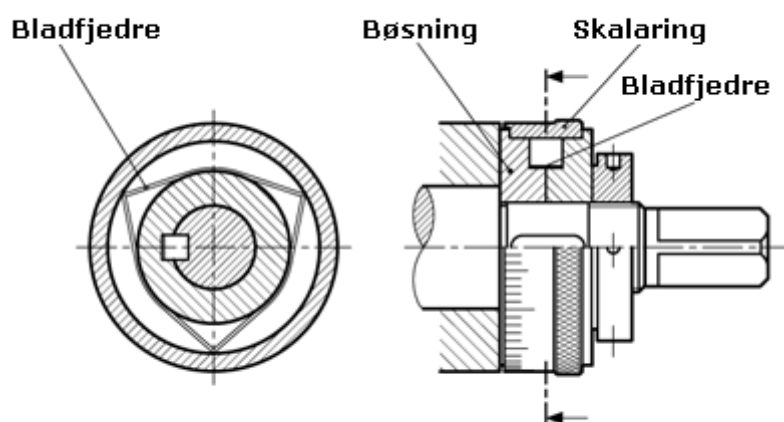


Article number: 2026460MCR
Description: E+G GN 264
outside diameter 60 mm, 50 mm bore

Measures



Bore	= -
External diameter	= 60
Handle diameter	= 63
Internal diameter	= 50
Item	= -
Item	= -
Item	= -
Length	= 25.7